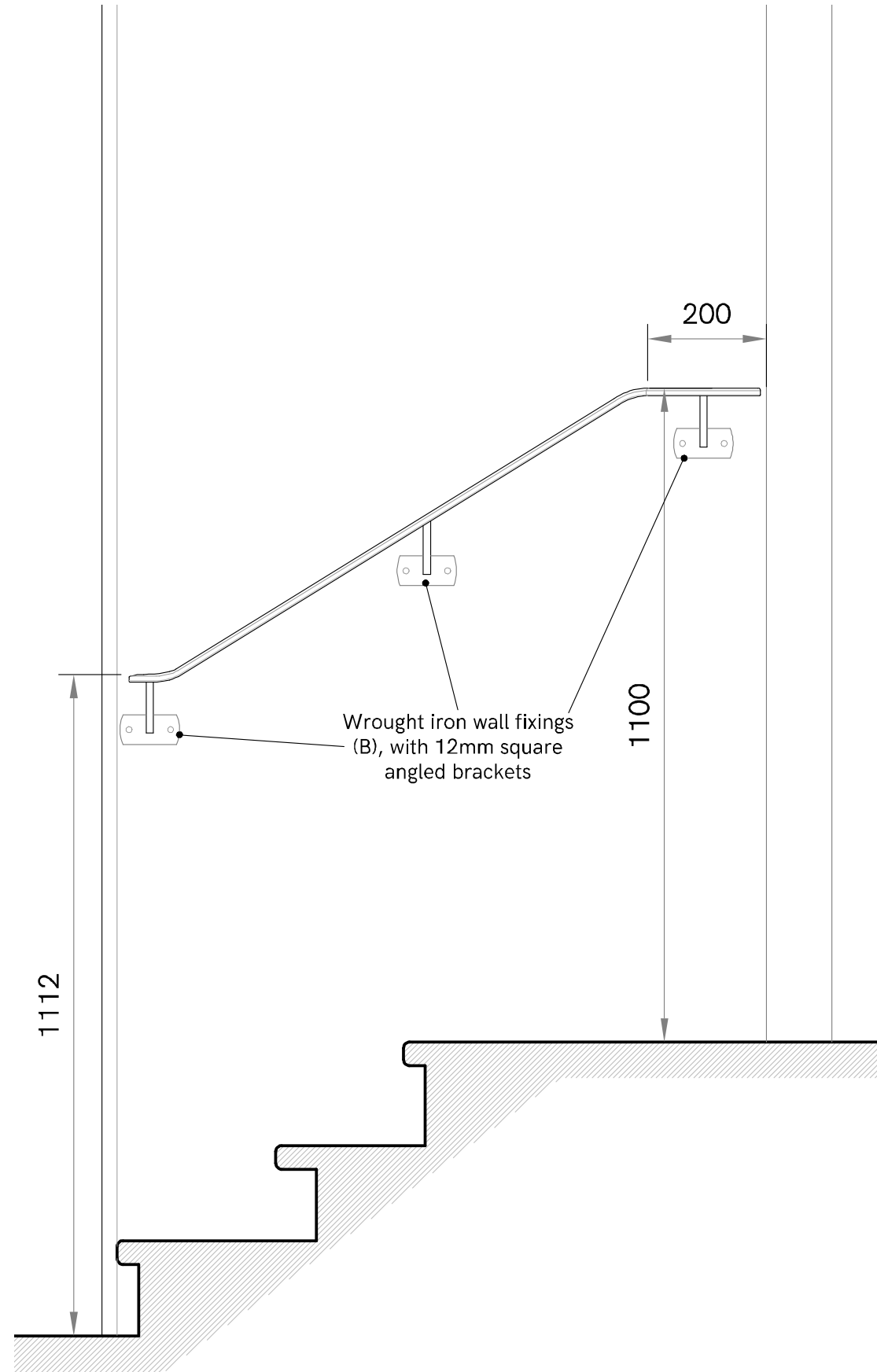
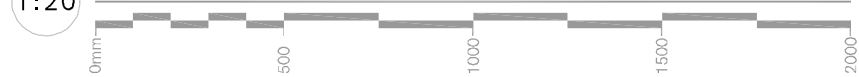
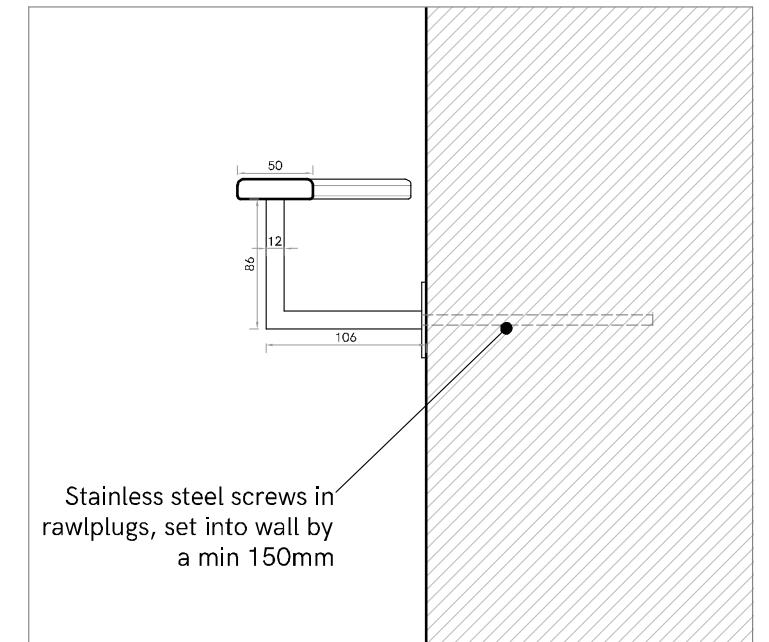


1:20 PLAN AS PROPOSED



1:10 PROPOSED ELEVATION



1:5 PROPOSED FIXING DETAIL



A3